

sinkmaster®

SUBMITTAL SHEET GLOBAL GOURMET 550 1/2 H.P.

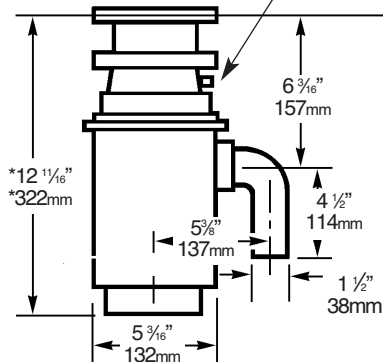
- Space saving compact design!
- High-speed 2600 r.p.m. permanent magnet motor produces more power per pound.
- Corrosion resistant grinding components.
- Fast and easy mount system provides a no hassle installation.
- Removable splash guard is included.
- Safe for properly sized septic tanks.
- Longest warranties in the industry demonstrate commitment to quality.

Two Year Warranty (see below).



DIMENSIONS

Knock-out for dishwasher drain connector sized for 7/8" I.D. / 22mm I.D. rubber hose.



Measurements are in inches / mm
*Add 5/8" / 16mm or RFI Filter

SPECIFICATIONS

Motor Horsepower	1/2 H.P.
Motor Speed R.P.M.	2600
Voltage	100, 110-130, 220-240, 220-240 CE, 220-240 BEAB
Hz	50/60
Amps - Watts	520W (100) 4.5 (110-130), 2.25 (220-240), 475W (220-240 BEAB)
Motor Type	Permanent Magnet
Sink Flange	Stainless Steel & Celcon
Stopper	Positive Seal
Splash Guard	Removable
Waste Elbow	ABS
Feed	Continuous
Grind Ring	Heavy Gauge Galvanized Steel
Swivel Impellers	Stainless Steel
Turntable	Galvanized Steel
Hopper	Glass Filled Nylon
Grinding Chamber	Corrosion Proof Glass Filled Polyester
Bearings	Permanently Lubricated; Sleeve Type
Overload Protector	Manual Reset Type
Shipping Weight (lbs.)	8.1
Pallet Quantity	196

Due to continued product improvement, system configurations and specifications may change without notice.

Sinkmaster® Warranty

Any Sinkmaster® Model 550 less than 2 years old that develops a material or mechanical defect will be repaired or replaced free of charge.

sinkmaster®

4240 E. La Palma Avenue
Anaheim, California 92807
(800) 854-3229



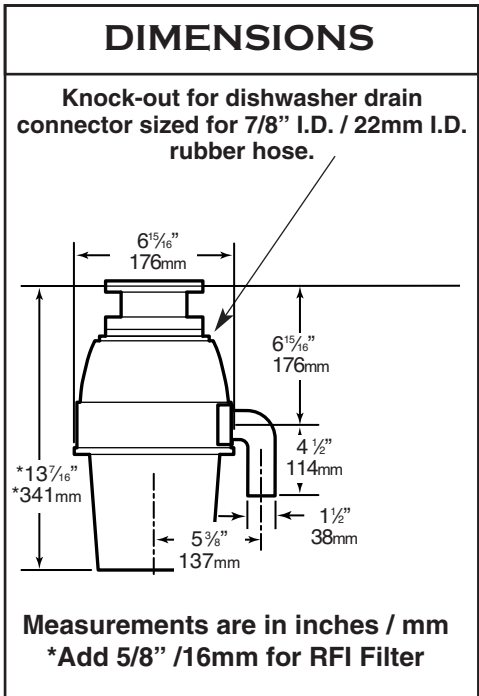
SUBMITTAL SHEET

GLOBAL GOURMET 750

1/2 H.P.

- Space saving compact design!
- High-speed 2600 r.p.m. permanent magnet motor produces more power per pound.
- Stainless steel grinding components.
- Fast and easy mount system provides a no hassle installation.
- Removable splash guard is included.
- Safe for properly sized septic tanks.
- Longest warranties in the industry demonstrates commitment to quality.

Five Year Warranty (see below).



SPECIFICATIONS

Motor Horsepower	1/2 H.P.
Motor Speed R.P.M.	2600
Voltage	100, 110-130, 220-240, 220-240 CE, 220-240 BEAB
Hz	50/60
Amps - Watts	520W (100), 4.5 (110-130), 2.25 (220-240), 475W (220-240 BEAB)
Motor Type	Permanent Magnet
Sink Flange	Stainless Steel & Celcon
Stopper	Positive Seal
Splash Guard	Removable
Waste Elbow	ABS
Feed	Continuous
Grind Ring	Stainless Steel
Swivel Impellers	Stainless Steel
Turntable	Stainless Steel
Hopper	Glass Filled Nylon
Grinding Chamber	Corrosion Proof Glass Filled Polyester
Bearings	Permanently Lubricated; Sleeve Type
Overload Protector	Manual Reset Type
Sound Shell	Yes-Full
Shipping Weight (lbs.)	9.5
Pallet Quantity	100

Sinkmaster® Warranty

Any Sinkmaster® Model 750 less than 5 years old that develops a material or mechanical defect will be repaired or replaced free of charge.

Due to continued product improvement, system configurations and specifications may change without notice.

4240 E. La Palma Avenue
Anaheim, California 92807
(800) 854-3229

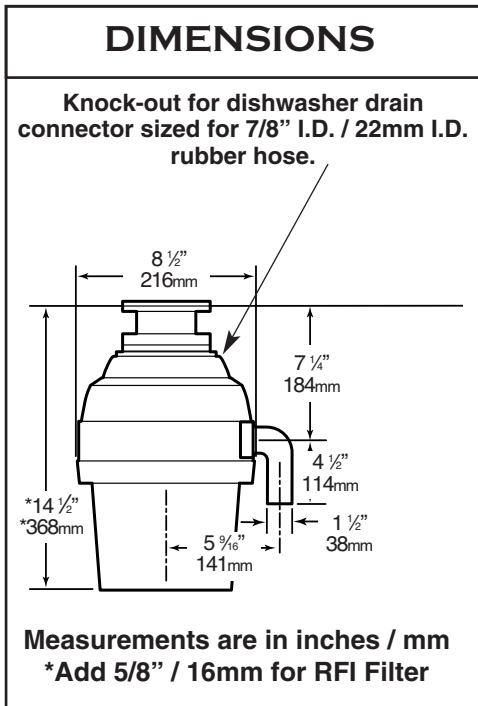
sinkmaster®

SUBMITTAL SHEET GLOBAL GOURMET 950 3/4 H.P.

- High-speed 2700 r.p.m. permanent magnet motor produces more power per pound.
- Stainless steel grinding components.
- Fast and easy mount system provides a no hassle installation.
- Power cord included.
- Removable splash guard is included.
- Safe for properly sized septic tanks.
- Sound insulated for quiet operation.
- Longest warranties in the industry demonstrates commitment to quality.



Ten Year Warranty (see below).



SPECIFICATIONS

Motor Horsepower	3/4 H.P.
Motor Speed R.P.M.	2700
Voltage	100, 110-130, 220-240, 220-240 CE, 220-240 BEAB
Hz	50/60
Amps - Watts	720W (100), 6.0 (110-130), 3.0 (220-240), 520W (220-240 BEAB)
Motor Type	Permanent Magnet
Power Cord	Attached
Stopper	Positive Seal
Sink Flange	Stainless Steel & Celcon
Splash Guard	Removable
Waste Elbow	ABS
Feed	Continuous
Grind Ring	Stainless Steel
Swivel Impellers	Cast Stainless Steel
Turntable	Stainless Steel
Hopper	Glass Filled Nylon
Grinding Chamber	Corrosion Proof Glass Filled Polyester
Bearings	Permanently Lubricated; Sleeve Type
Overload Protector	Manual Reset Type
Sound Shell	Yes-Full
Shipping Weight (lbs.)	13
Pallet Quantity	100

Sinkmaster® Warranty

Any Sinkmaster® Model 950 less than 10 years old that develops a material or mechanical defect will be repaired or replaced free of charge.

Due to continued product improvement, system configurations and specifications may change without notice.

4240 E. La Palma Avenue
Anaheim, California 92807
(800) 854-3229

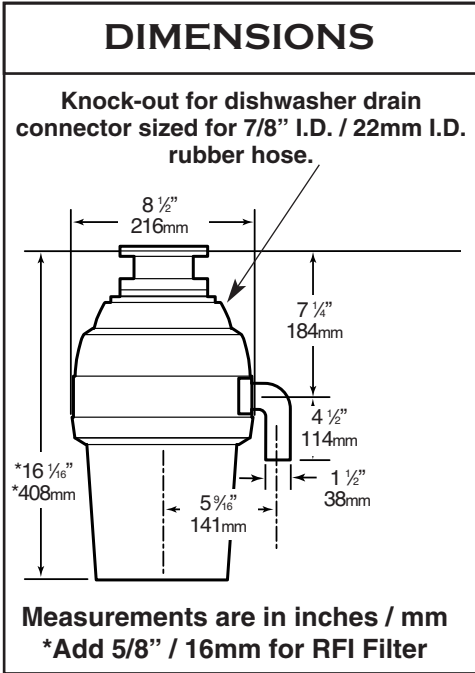


SUBMITTAL SHEET
GLOBAL GOURMET 1050
1 H.P.

- High-speed 2800 r.p.m. permanent magnet motor produces more power per pound.
- Stainless steel grinding components.
- Fast and easy mount system provides a no hassle installation.
- Power cord included.
- Removable splash guard is included.
- Safe for properly sized septic tanks.
- Sound insulated for quiet operation.
- Longest warranties in the industry demonstrates commitment to quality.



Limited LIFETIME Warranty (see below).



Sinkmaster® Warranty

Any Sinkmaster® Model 1050 that fails to operate during the lifetime of the original purchaser, and limited to the original purchaser, will be repaired or replaced free of charge.

SPECIFICATIONS

Motor Horsepower	1 H.P.
Motor Speed R.P.M.	2800
Voltage	100, 110-130, 220-240, 220-240 CE, 220-240 BEAB
Hz	50/60
Current-Amps	800W (100), 7.0 (110-130), 3.5 (220-240), 550W (220-240 BEAB)
Motor Type	Permanent Magnet
Power Cord	Attached
Stopper	Positive Seal
Sink Flange	Stainless Steel & Celcon
Splash Guard	Removable
Waste Elbow	ABS
Feed	Continuous
Grind Ring	Stainless Steel
Swivel Impellers	Cast Stainless Steel
Turntable	Stainless Steel
Hopper	Glass Filled Nylon
Grinding Chamber	Corrosion Proof Glass Filled Polyester
Bearings	Permanently Lubricated; Sleeve Type
Overload Protector	Manual Reset Type
Sound Shell	Yes-Full
Shipping Weight (lbs.)	15.4
Pallet Quantity	100

Due to continued product improvement, system configurations and specifications may change without notice.

sinkmaster®

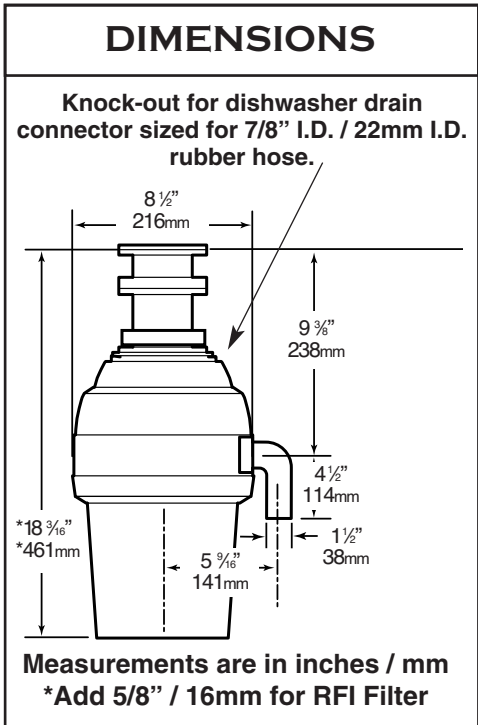
4240 E. La Palma Avenue
 Anaheim, California 92807
 (800) 854-3229

sinkmaster®

SUBMITTAL SHEET GLOBAL GOURMET BF 1050 1 H.P.

- Top control/batch feed operation...No wall switch!
- High-speed 2800 r.p.m. permanent magnet motor produces more power per pound.
- Stainless steel, rust free grinding components.
- Fast and easy mount system provides a no hassle installation.
- Power cord included.
- Sound insulated for quiet operation.
- Safe for properly sized septic tanks.
- Longest warranties in the industry demonstrates commitment to quality.

Ten Year Warranty (see below).



Sinkmaster® Warranty

Any Sinkmaster® Model BF1050 less than 10 years old that develops a material or mechanical defect will be repaired or replaced free of charge.

SPECIFICATIONS

Motor Horsepower	1 H.P.
Motor Speed R.P.M.	2800
Voltage	100, 110-130, 220-240, 220-240 CE, 220-240 BEAB
Hz	50/60
Current-Amps	800W (100), 7.0 (110-130), 3.5 (220-240), 550W (220-240 BEAB)
Motor Type	Permanent Magnet
Power Cord	Attached
Sink Flange	Stainless Steel & Celcon
Stopper/Actuator	3 Position
Waste Elbow	ABS
Feed	Batch Loading
Grind Ring	Stainless Steel
Swivel Impellers	Cast Stainless Steel
Turntable	Stainless Steel
Hopper	Glass Filled Nylon
Grinding Chamber	Corrosion Proof Glass Filled Polyester
Bearings	Permanently Lubricated; Sleeve Type
Overload Protector	Manual Reset Type
Sound Shell	Yes-Full
Shipping Weight (lbs.)	16.4
Pallet Quantity	100

Due to continued product improvement, system configurations and specifications may change without notice.

4240 E. La Palma Avenue
Anaheim, California 92807
(800) 854-3229

sinkmaster®

SUBMITTAL SHEET GLOBAL GOURMET BF950 3/4 H.P.

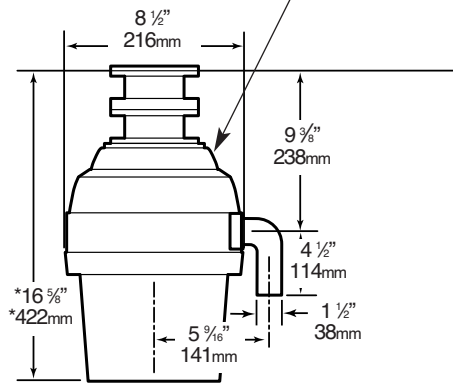
- Batchfeed operation...No wall switch required!
- High-speed 2700 r.p.m. permanent magnet motor produces more power per pound.
- Stainless steel grinding components.
- Fast and easy mount system provides a no hassle installation.
- Power cord included.
- Safe for properly sized septic tanks.
- Longest warranties in the industry demonstrates commitment to quality.

Ten Year Warranty (see below).



DIMENSIONS

Knock-out for dishwasher drain connector sized for 7/8" I.D. / 22mm I.D. rubber hose.



Measurements are in inches / mm
*Add 5/8" / 16mm for RFI Filter

Sinkmaster® Warranty

Any Sinkmaster® Model BF950 less than 10 years old that develops a material or mechanical defect will be repaired or replaced free of charge.

SPECIFICATIONS

Motor Horsepower	3/4 H.P.
Motor Speed R.P.M.	2700
Voltage	100, 110-130, 220-240, 220-240 CE, 220-240 BEAB
Hz	50/60
Current-Amps	720W (100), 6.0 (110-130), 3.0 (220-240), 520W (220-240 BEAB)
Motor Type	Permanent Magnet
Power Cord	Attached
Sink Flange	Stainless Steel & Celcon
Stopper/Actuator	3 Position
Waste Elbow	ABS
Feed	Batch Loading
Grind Ring	Stainless Steel
Swivel Impellers	Cast Stainless Steel
Turntable	Stainless Steel
Hopper	Glass Filled Nylon
Grinding Chamber	Corrosion Proof Glass Filled Polyester
Bearings	Permanently Lubricated; Sleeve Type
Overload Protector	Manual Reset Type
Sound Shell	Yes-Full
Shipping Weight (lbs.)	14
Pallet Quantity	75

Due to continued product improvement, system configurations and specifications may change without notice.

sinkmaster®

4240 E. La Palma Avenue
Anaheim, California 92807
(800) 854-3229

sinkmaster®

SUBMITTAL SHEET GLOBAL GOURMET BF750 1/2 H.P.

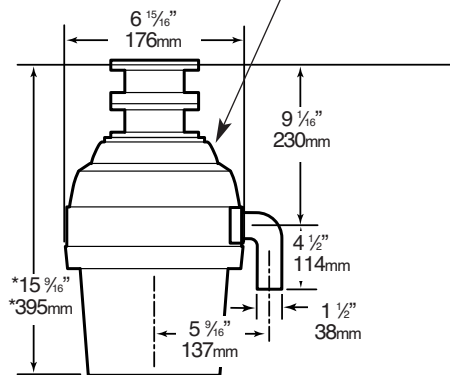
- Top control/batch feed operation...No wall switch!
- High-speed 2600 r.p.m. permanent magnet motor produces more power per pound.
- Stainless steel grinding components.
- Fast and easy mount system provides a no hassle installation.
- Removable splash guard is included.
- Safe for properly sized septic tanks.
- Longest warranties in the industry demonstrates commitment to quality.

Five Year Warranty (see below).



DIMENSIONS

Knock-out for dishwasher drain connector sized for 7/8" I.D. / 22mm I.D. rubber hose.



Measurements are in inches / mm
*Add 5/8" / 16mm for RFI Filter

Sinkmaster® Warranty

Any Sinkmaster® Model BF750 less than 5 years old that develops a material or mechanical defect will be repaired or replaced free of charge.

SPECIFICATIONS

Motor Horsepower	1/2 H.P.
Motor Speed R.P.M.	2600
Voltage	100, 110-130, 220-240, 220-240 CE, 220-240 BEAB
Hz	50/60
Current-Amps	800W (100), 7.0 (110-130), 3.5 (220-240), 550W (220-240 BEAB)
Motor Type	Permanent Magnet
Power Cord	Attached
Sink Flange	Stainless Steel & Celcon
Stopper/Actuator	3 Position
Waste Elbow	ABS
Feed	Batch Loading
Grind Ring	Stainless Steel
Swivel Impellers	Cast Stainless Steel
Turntable	Stainless Steel
Hopper	Glass Filled Nylon
Grinding Chamber	Corrosion Proof Glass Filled Polyester
Bearings	Permanently Lubricated; Sleeve Type
Overload Protector	Manual Reset Type
Sound Shell	Yes-Full
Shipping Weight (lbs.)	14
Pallet Quantity	75

Due to continued product improvement, system configurations and specifications may change without notice.

sinkmaster®

4240 E. La Palma Avenue
Anaheim, California 92807
(800) 854-3229